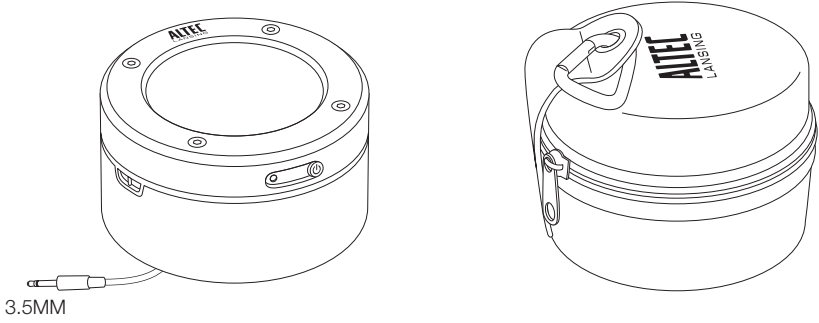
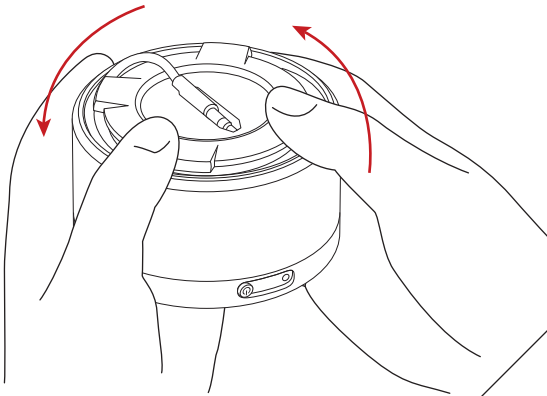


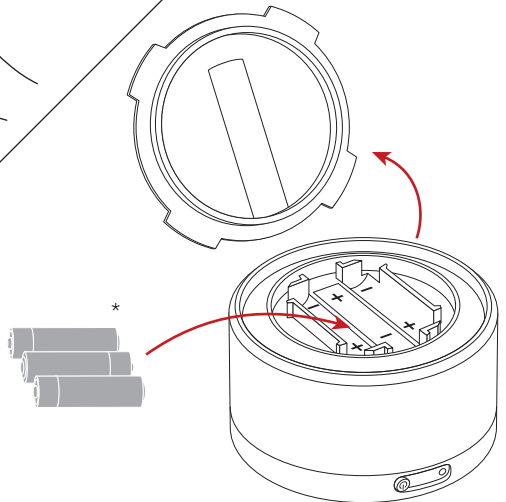
1



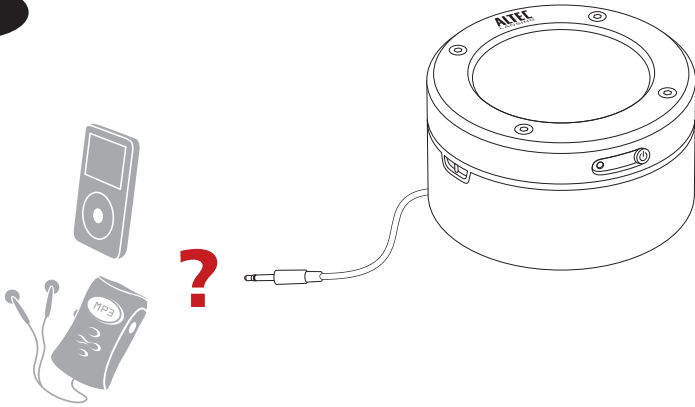
2



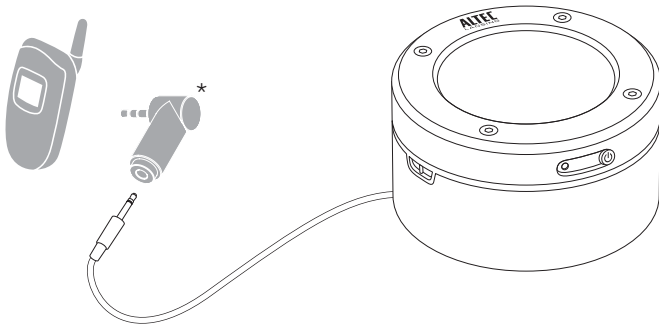
3



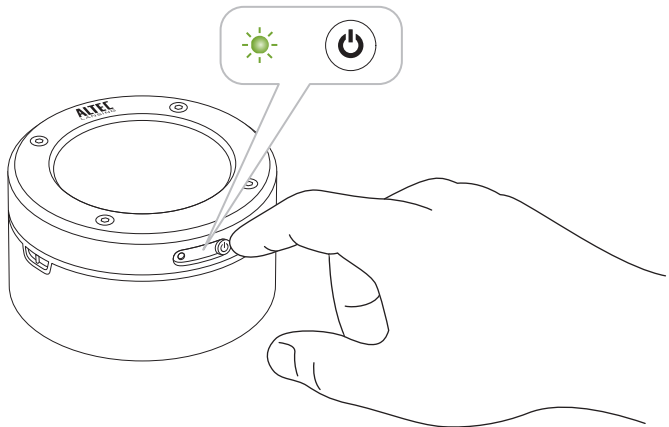
4a



4b



5



* Not Included / Non Includi

A13021-2 R02